

Material Handling & Industrial Storage Solutions



STORAGE RACKS

EXPECT MORE



STORAGE PRODUCTS GROUP
www.spgusa.com

SPG brings greater organization to your organization with material handling systems from Gillis-Jarke.

Today, more than ever, you need to maximize the value of every square inch of space in your facilities. To achieve this, you need material handling and storage solutions that are efficient, reliable, economical, durable, proven, and designed for maximum safety.

Gillis-Jarke, two of the most trusted brands in the business, offer you all of this and more. All brought to you by SPG, a world leader in material handling and storage solutions, engineering, and innovation.

The storage racks you'll find in this catalog are only a small part of all that SPG offers. In fact, you'll find our Gillis-Jarke products driving greater productivity and profitability in warehouses, factories, distribution centers, and backrooms throughout North America.

For more than half a century, businesses have turned to us for state-of-the-art storage and material handling systems. Today, this same high level of quality, durability, versatility, value, and unequalled service is available to you in the broadest product line on the market.

Working with you, SPG can help you maximize your storage space, protect your goods, manage inventory, enhance the flow of materials, increase accessibility, lower costs, and boost employee efficiency.

Beyond our standard products, SPG has the engineering expertise and manufacturing resources to create custom solutions to your operation's unique material handling and storage challenges.

Or, if you need equipment fast, be sure to look for our "QUICK SHIP" designation on select key products. These items can be shipped within 72 hours to help meet any emergency need.*

You can Expect More from SPG and our Gillis-Jarke line. More performance. More durability. More innovation. More quality. More economy. Everything you need to get more into and out of every square inch of your space. And it all begins with the industry's best selection of storage racks.

To order any product from this catalog, contact your Gillis-Jarke dealer today.

*Subject to inventory levels.



When it comes to solving your storage problems, we don't just offer you off the shelf ideas.

It's not just what Jarke storage racks will hold that sets them apart. *It's how they hold up.* Rugged, durable, and versatile, Jarke storage racks from SPG offer you years of reliable service in even the toughest of applications.

The Jarke storage rack line also offers you a broad assortment designed to hold a variety of load capacities and materials. In addition, Jarke offers modular systems that allow you to tailor your racks to your current needs...with the flexibility of expanding your system as your needs grow and change.

Within the broad Jarke line are proven storage rack solutions that include:

- **Cantilever racks** that are ideal for storing flat materials and unwieldy items and come in all sizes and strengths—from light to medium to heavy load capacities—to meet the most demanding applications...plus, many of our cantilever racks can be shipped within 72 hours with our Quick Ship program
- **Bar storage racks** that are perfect for tool rooms, maintenance areas, machine centers, storage areas, and as POP displays

- **Stacking racks** in a wide variety of configurations that maximize your floor space as they minimize clutter anywhere throughout your plant or warehouse
- **Pallet rack systems** that feature fast, easy assembly and rugged construction to stand up to the toughest conditions
- **Specialty racks** including EZ-Glide racks that feature 100% full extension roll-out shelving, heavy duty reel racks that can hold up to 10,000 lbs. and drum storage racks that deliver compact, high-density storage of 55 gallon drums

Expect More...

Remember, when it comes to durability, quality, and value, other storage rack systems just don't stack up. You can Expect More and get more from Jarke storage racks from SPG. Keep reading for more details on these tough, proven storage racks.

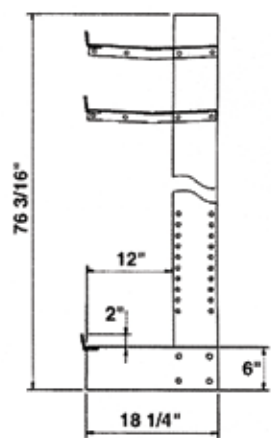
To place an order, contact your dealer today!



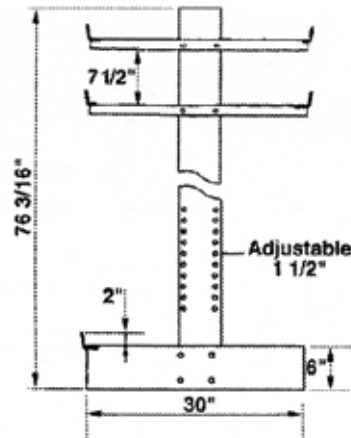
Minitree® Light Duty Cantilever Racks

This light-duty adjustable arm cantilever rack is especially suited for improving work area appearance and organization of light weight materials. The Minitree™ efficiently stores plastic, conduit, extrusions, hydraulic tubing and similar light weight materials.

- 250 lbs. capacity per arm
- Units can be configured as single or double arm racks
- Single column unit takes only 36" x 18 1/4" of floor space
- Complete unit includes 2 columns (with either single-sided or double-sided bases), 1 brace set, 14 arms plus hardware
- Features 7 pairs of adjustable arms for storing long and short materials
- 875 lb. capacity per column per side*
- 12" Arm includes bolt on lip; arm is adjustable on 1 1/2" on centers
- Ships unassembled (KD)



Single Arm Column



Double Arm Column



Minitree™ Cantilever Rack

Model No.	Description	Ht. (In.)	Arm Length (In.)	Capacity Per Arm (Lbs.)	Base Length (In.)	No. of Arms	Capacity Per Unit (Lbs.)	Wt. (Lbs.)
Complete Units								
MT251CS36	Single Arm Column Units	76 ³ / ₁₆ "	12	250	18 ¹ / ₄	14	1,750	165
MT251CD36	Double Arm Column Units	76 ³ / ₁₆ "	12	250	30	14 double	3,500	215
Components								
MT251CS	7' Single Column & Base w/hardware	—	—	—	18 ¹ / ₄	—	—	41
MT251CD	7' Double Column & Base w/hardware	—	—	—	30	—	—	46
MT251AS12	12' Single Arm w/Lip plus hardware	—	—	—	—	—	—	3.7
MT251AD12	12' Double Arm w/Lip plus hardware	—	—	—	—	—	—	6.6
MT251236	3' Brace Set w/hardware	—	—	—	—	—	—	31

Do not exceed column capacities. Column capacity rating does not include base. Double column is twice capacity shown.

Quiktree®

This rack is a light-medium duty rack that easily stores and organizes evenly distributed loads. Add-on feature allows the formation of complete storage rows. Begin with a starter unit, join add-on units to reach desired length and finish row with another starter unit.

- 500 lb. capacity per arm (evenly distributed)
- Available in starter or add-on units
- Single or Double sided units
- Two different brace lengths 3' or 6'
- Adjustable 14" arms have end stops that mount up or flush
- Column height 7'
- Single sided unit has 14 arms, Double sided unit 28 arms
- Arm adjusts on 1½" centers tilt up at approx. 5°
- Column capacity 3,500 lbs. per side (not including base)
- Ships unassembled (KD)



Quiktree® Cantilever Rack

Model No.	Description	Ht. (Ft.)	Arm Length (In.)	Capacity (Lbs.)	Base Length (In.)	No. of Arms	Brace Set Width	Capacity Per Unit (Lbs.)	Wt. (Lbs.)
Complete Units									
QT501S36	Starter Unit - Single-Sided Base Column	7	14	500	21	14	3'	3,500	237
QT501S72	Starter Unit - Single-Sided Base Column	7	14	500	21	14	6'	3,500	265
QT501D36	Starter Unit - Double-Sided Base Column	7	14	500	34	28	3'	7,000	345
QT501D72	Starter Unit - Double-Sided Base Column	7	14	500	34	28	6'	7,000	363
QT501S36-A	Add-On Unit - Single-Sided Base Column	7	14	500	21	7	3'	3,500	135
QT501S72-A	Add-On Unit - Single-Sided Base Column	7	14	500	21	7	6'	3,500	153
QT501D36-A	Add-On Unit - Double-Sided Base Column	7	14	500	34	14	3'	7,000	189
QT501D72-A	Add-On Unit - Double-Sided Base Column	7	14	500	34	14	6'	7,000	207
Components									
QT500CS	7' Single Column and Base w/hardware	—	—	—	—	—	—	—	67
QT500CD	7' Double Column and Base w/hardware	—	—	—	—	—	—	—	86
QT501B36	3' Brace Set (set of 2) w/hardware	—	—	—	—	—	—	—	33
QT501B72	6' Brace Set (set of 2) w/hardware	—	—	—	—	—	—	—	51
QT500A14	14' Arm with Cap and Bolts	—	—	—	—	—	—	—	5

Do not exceed column capacities. Column capacity rating does not include base. Double column is twice capacity shown.

Button-On®

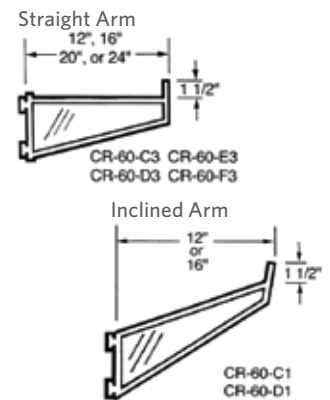
US Patent No. 3,164,255

Button-On lets you load up to 2,000 lbs. at one time with a lift truck or manually. Provides an adjustable unit with as little as two columns, or assembles into a continuous system for growth. Arms "button" into position & adjust on 4" centers. 700 lbs. to 1,000 lbs. capacity per arm. Column capacity 12,000 lbs. per column per side. Unique inclined arm with 18° slope, buttons in place. Ideal for storing pipe, tubing, lumber and bar stock. Available in starter or add-on units.



Starter and Add-On Units

Height (Ft.)	Arm Length	Capacity Per Arm (Lbs.)	Base Length (In.)	No. Of Arms	Brace Set Width	Capacity Per Unit (Lbs.)	Starter Model No.	Wt. (Lbs.)	No. Of Arms	Add-On Model No.	Wt. (Lbs.)
Single Column Unit											
7	12" inclined	1000	26½	12	6'	12,000	CR-1	314	6	CR-1A	182
7	12" straight	1000	26½	12	6'	12,000	CR-2	314	6	CR-2A	182
7	16" inclined	1000	26½	12	6'	12,000	CR-5	332	6	CR-5A	191
7	16" straight	1000	26½	12	6'	12,000	CR-6	332	6	CR-6A	191
10	20" straight	850	34½	20	6'	17,000	CR-9	455	10	CR-9A	257
10	24" straight	700	34½	20	6'	14,000	CR-10	485	10	CR-10A	277
Double Column Unit											
7	12" inclined	1000	45	24	6'	24,000	CR-3	406	12	CR-3A	228
7	12" straight	1000	45	24	6'	24,000	CR-4	406	12	CR-4A	228
7	16" inclined	1000	45	24	6'	24,000	CR-7	442	12	CR-7A	246
7	16" straight	1000	45	24	6'	24,000	CR-8	442	12	CR-8A	246
10	20" straight	850	61	40	6'	34,000	CR-11	687	20	CR-11A	371
10	24" straight	700	61	40	6'	28,000	CR-12	747	20	CR-12A	401



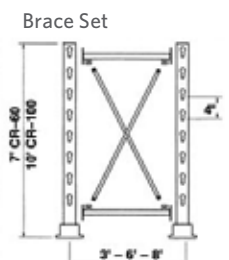
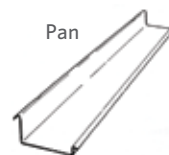
Columns

Height (Ft.)	Arm Length	Base Length (In.)	Capacity Per Side (Lbs.)	Maximum Arms	Model No.	Wt. (Lbs.)
Columns Single Sided						
7	12", 16"	26½	6,000	6	CR-61-A	105
7	20", 24"	34½	4,200	6	CR-61-AL	111
10	12", 16"	26½	9,000	9	CR-101-A	120
10	20", 24"	34½	7,650	9	CR-101-AL	127
Columns Double Sided						
7	12", 16"	45	6,000	6	CR-61-B	124
7	20", 24"	61	4,200	6	CR-61-BL	136
10	12", 16"	45	9,000	9	CR-101-B	140
10	20", 24"	61	7,650	9	CR-101-BL	156

Do not exceed column capacities. Column capacity rating does not include base. Double column is twice capacity shown.

Arms

Arms Length (In.)	Capacity Per Arm (Lbs.)	Model No.	Wt. (Lbs.)
Straight Arms			
12	1,000	CR-60-C3	4½
16	1,000	CR-60-D3	6
20	850	CR-60-E3	8
24	700	CR-60-F3	9½
Inclined Arms			
12	1,000	CR-60-C1	4½
16	1,000	CR-60-D1	6



Pans for Arms

Pan Length* (Ft.)	Arm Description	Arm Length	Model No. (Add Prefix CR-60 To Model No.)
5'	Straight No Lip	12" / 16" / 20" / 24"	I12C2 / I16D2 / I20E2 / I24F2
5'	Straight With Lip	12" / 16" / 20" / 24"	I12C3 / I16D3 / I20E3 / I24F3
5'	Inclined No Lip	12" / 16"	I12C4 / I16D4
5'	Inclined With Lip	12" / 16"	I12C1 / I16D1
8'	Straight No Lip	12" / 16" / 20" / 24"	J12C2 / J16D2 / J20E2 / J24F2
8'	Straight With Lip	12" / 16" / 20" / 24"	J12C3 / J16D3 / J20E3 / J24F3
8'	Inclined No Lip	12" / 16"	J12C4 / J16D4
8'	Inclined With Lip	12" / 16"	J12C1 / J16D1

Note: 7' column maximum arms per column side is 6 arms.
10' column maximum arms per column side is 9 arms.

Brace Sets

Model No.	Wt. (Lbs.)	Width
CR-61-EF	18	3'
CR-61-GH	50	6'
CR-61-JK	63	8'
CR-101-GH	55	6'
CR-101-JK	67	8'

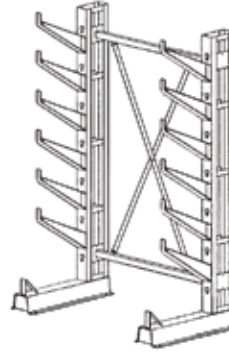
Complete Units 7' and 10' Heights

Order No.	Ht. (ft.)	Arm Length (in.)	Capacity Per Arm (lbs.)	Total Capacity* (lbs.)	No. of Arms	Brace Width (ft.)	Wt. (lbs.)
Single Column Unit							
CR-1	7	12" inclined	1,000	12,000	12	6	314
CR-2	7	12" straight	1,000	12,000	12	6'	314
Double Column Unit							
CR-3	7	12" inclined**	1,000	12,000	24	6	406
CR-4	7	12" straight	1,000	12,000	24	6	405
Single Column Unit							
CR-5	7	16" inclined	1,000	12,000	12	6	332
CR-6	7	16" straight	1,000	12,000	24	6	332
Double Column Unit							
CR-7	7	16" inclined	1,000	24,000	24	6	442
CR-8	7	16" straight	1,000	24,000	24	6	442
Single Column Unit							
CR-9	10	20" straight	850	17,000	20	6	406
CR-10	10	24" straight	700	14,000	20	6	405
Double Column Unit							
CR-11	10	20" straight	850	34,000	40	6	332
CR-12	10	24" straight	700	28,000	40	6	332

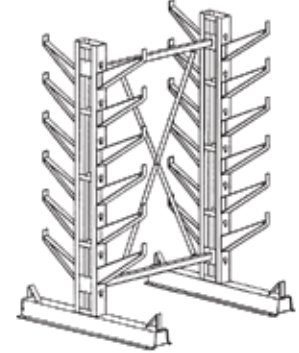
* Plus base load.

**Arms adjust on 4' centers.

Single-Sided



Double-Sided



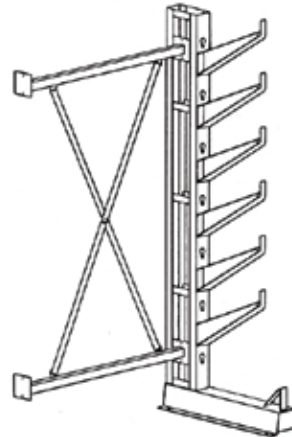
Ideal for placing against a wall.

Add-On Units 7' and 10' Heights

Order No.	Ht. (ft.)	Arm Length (in.)	Total Capacity* (lbs.)	No. of Arms	Brace Width (ft.)	Wt. (lbs.)
Add-On Single Column Unit						
CR-1A	7	12" inclined	6,000	6	6	182
CR-2A	7	12" straight	6,000	6	6	182
Add-On Double Column Unit						
CR-3A	7	12" inclined	12,000	12	6	228
CR-4A	7	12" straight	12,000	12	6	228
Add-On Single Column Unit						
CR-5A	7	16" inclined	6,000	6	6	191
CR-6A	7	16" straight	6,000	6	6	191
Add-On Double Column Unit						
CR-7A	7	16" inclined	12,000	12	6	246
CR-8A	7	16" straight	12,000	12	6	246
Add-On Single Column Unit						
CR-9A	10	20" straight	8,500	10	6	257
CR-10A	10	24" straight	7,000	10	6	277
Add-On Double Column Unit						
CR-11A	10	20" straight	17,000	20	6	332
CR-12A	10	24" straight	14,000	20	6	401

* Plus base load.

Single-Sided



Double-Sided



JARKE | MEDIUM - HEAVY DUTY CANTILEVER RACKS

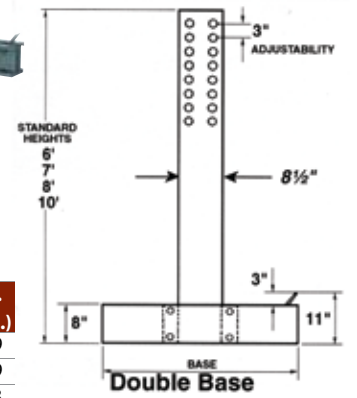
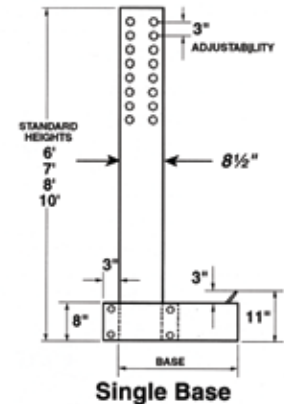
Steeltree® 08 Series

The Medium Duty Steeltree® 08 Series is equal in function to our Heavy Duty Steeltree® 25-60 Series. The 08 Series is made with a lighter gauge steel and smaller dimensions of component parts. Ideal for storing light bar stock, tubing, lumber, or other light-weight materials that are hand picked or easily damaged and must be kept off of the floor. Two or more uprights assemble as a single rack or a continuous unit consisting of any number of uprights to handle longer materials.

- 300 lbs. to 1,300 lbs. capacity per arm
- Sold as units or as component parts
- Single and double sided racks in four column heights
- Straight arms in lengths of 12", 18", 24", 30", 36", 48". Inclined arms 12" to 36"
- Arms adjust on 3" centers
- Ships unassembled (KD)



Steeltree® 08 Cantilever Rack
Starter and Add-On units shown



Column Components

Column Height (Ft.)	Arm Length (In.)	Capacity Per Side (Lbs.)	Single Column Model No.	Base Length (In.)	Wt. (Lbs.)	Double Column Model No.	Base Length (In.)	Wt. (Lbs.)
6	12 & 18	12,000 & 10,500	08CS31072	31	99	08CD53072	53	119
6	24	7,500	08CS37072	37	104	08CD65072	65	129
6	30 & 36	6,500 & 5,700	08CS46072	46	115	08CD82072	82	143
6	42 & 48	5,000 & 4,300	08CS58072	58	123	08CD10472	104	157
7	12 & 18	12,000 & 10,500	08CS31084	31	108	08CD53084	53	128
7	24	7,500	08CS37084	37	113	08CD65084	65	138
7	30 & 36	6,500 & 5,700	08CS46084	46	124	08CD82084	82	152
7	42 & 48	5,000 & 4,300	08CS58084	58	135	08CD10484	104	166
8	12 & 18	12,000 & 10,500	08CS31096	31	118	08CD53096	53	138
8	24	7,500	08CS37096	37	123	08CD65096	65	148
8	30 & 36	6,500 & 5,700	08CS46096	46	134	08CD82096	82	162
8	42 & 48	5,000 & 4,300	08CS58096	58	145	08CD10496	104	189
10	12 & 18	12,000 & 10,500	08CS31120	31	136	08CD53120	53	156
10	24	7,500	08CS37120	37	141	08CD65120	65	166
10	30 & 36	6,500 & 5,700	08CS46120	46	152	08CD82120	82	180
10	42 & 48	5,000 & 4,300	08CS58120	58	163	08CD104120	104	194

Brace Sets

(packaged sets of 2)

Brace Length (Ft.)	Model No.	Wt. (Lbs.)
3	08B2036	20
4	08B2048	25
5	08B2060	30
6	08B2072	34
8	08B2096	44

Arm Components

Arm Length (In.)	Capacity (Lbs.)	Model No. With Lip	Wt. (Lbs.)	Model No. Without Lip	Wt. (Lbs.)	Model No. With Lip	Wt. (Lbs.)	Model No. Without Lip	Wt. (Lbs.)
Straight Arm					Inclined Arm				
12	1,300	08ASL12	8	08ASO12	8	08AIL12	9	08AIO12	9
18	870	08ASL18	9	08ASO18	9	08AIL18	10	08AIO18	10
24	650	08ASL24	11	08ASO24	11	08AIL24	12	08AIO24	12
30	520	08ASL30	12	08ASO30	12	08AIL30	13	08AIO30	13
36	430	08ASL36	14	08ASO36	14	08AIL36	15	08AIO36	15
42	400	08ASL42	15	08ASO42	15	NA	NA	NA	NA
48	300	08ASL48	16	08ASO48	16	NA	NA	NA	NA

Do not exceed column capacities. Smallest space between levels is 7". Maximum capacity for double column is twice value shown.

Column Height	6'	7'	8'	10'
Max. Number of Arms per side	7	8	9	12

Deck Support Receptacles

Description	Model No.	Wt. (Lbs.)
End Arm	08ASO-SR	3
Center Arm	08ASO-DR	3.5
Base	08CB-R	2.5

These receptacles are used to cradle 2 x 4's under plywood decking. They are available in both single and double sided designs and will accommodate all 08 series arms and bases, except 48"

Steeltree® Series 08 Complete Unit Breakdown

Stock No.	Quantity	Model No.	Description	Wt. (Lbs.) Ea.
MS-7J	2 Ea.	08CS31084	7' Single Column/Base	116
	1 St.	08B248	4' Brace Set	25
	8 Ea.	08ASL18	18" Straight Arm With Lip	9
MD-7J	2 Ea.	08CD53084	7' Double Column/Base	133
	1 St.	08B248	4' Brace Set	25
	16 Ea.	08ASL18	18" Straight Arm With Lip	9
MS-8J	2 Ea.	08CS37096	8' Single Column/Base	130
	1 St.	08B248	4' Brace Set	25
	8 Ea.	08ASL24	24" Straight Arm With Lip	11
MD-8J	2 Ea.	08CD65096	8' Double Column/Base	152
	1 St.	08B248	4' Brace Set	25
	16 Ea.	08ASL24	24" Straight Arm With Lip	11
MS-10J	2 Ea.	08CS46120	10' Single Column/Base	158
	1 St.	08B272	6' Brace Set	34
	12 Ea.	08ASL36	36" Straight Arm With Lip	14
MD-10J	2 Ea.	08CD82120	10' Double Column/Base	187
	1 St.	08B272	6' Brace Set	34
	24 Ea.	08ASL36	36" Straight Arm With Lip	14

Add-On Unit Breakdown

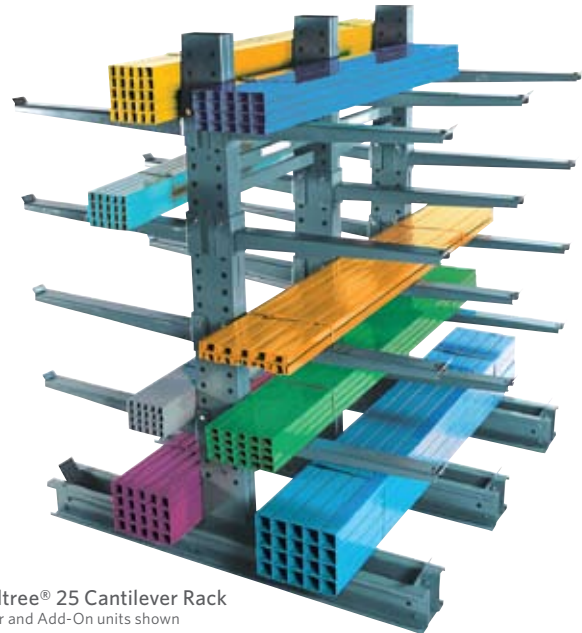
Stock No.	Quantity	Model No.	Description	Wt (Lbs.) Ea.
MS-7AJ	1 Ea.	08CS31084	7' Single Column/Base	116
	1 St.	08B248	4' Brace Set	25
	4 Ea.	08ASL18	18" Straight Arm With Lip	9
MD-7AJ	1 Ea.	08CD53084	7' Double Column/Base	133
	1 St.	08B248	4' Brace Set	25
	8 Ea.	08ASL18	18" Straight Arm With Lip	9
MS-8AJ	1 Ea.	08CS37096	8' Single Column/Base	130
	1 St.	08B248	4' Brace Set	25
	4 Ea.	08ASL24	24" Straight Arm With Lip	11
MD-8AJ	1 Ea.	08CD65096	8' Double Column/Base	152
	1 St.	08B248	4' Brace Set	25
	8 Ea.	08ASL24	24" Straight Arm With Lip	11
MS-10AJ	1 Ea.	08CS46120	10' Single Column/Base	158
	1 St.	08B272	6' Brace Set	34
	6 Ea.	08ASL36	36" Straight Arm With Lip	14
MD-10AJ	1 Ea.	08CD82120	10' Double Column/Base	187
	1 St.	08B272	6' Brace Set	34
	12 Ea.	08ASL36	36" Straight Arm With Lip	14

Steeltree® 25 Series

US Patent No. 3,512,654

The Steeltree® Heavy Duty is for storing large amounts of heavy materials in a compact area. Steeltree® is an excellent option for handling awkward or extremely heavy stock with a forklift. Ideal for bar and tube stocks and sheet material. Units assemble as a single rack or a continuous assembly of any number of racks to handle longer materials.

- 800 lbs. to 3,000 lbs. capacity per arm
- Jarke tapered column design compensates for deflection. (1/8" per foot)
- Double tube bracing
- Sold as units or as component parts
- Single and double sided racks in four column heights
- Straight or inclined arms in lengths from 12" to 60"
- Arms adjust on 3" centers and have removable lips on the ends available
- Assembly is quick & easy no special tools needed



Steeltree® 25 Cantilever Rack
Starter and Add-On units shown



Arm construction provides efficient load support

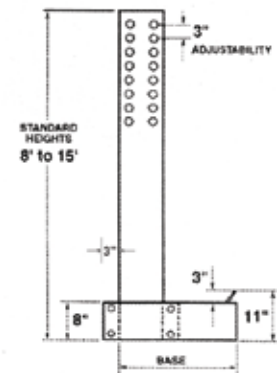


Pin and lock construction allows arm to be easily adjusted

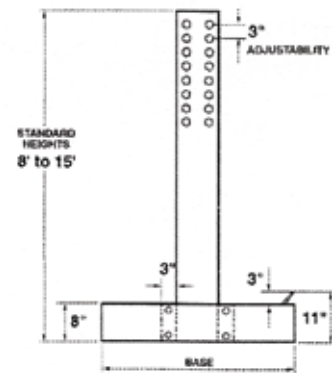
Column Components

Column Height (Ft.)	Arm Length (In.)	Capacity Per Side (Lbs.)	Single Column Model No.	Base Length (In.)	Wt. (Lbs.)	Double Column Model No.	Base Length (In.)	Wt. (Lbs.)
8	12 & 18	18,520 & 14,950	25CS31096	34	183	25CD53096	53	210
8	24	12,530	25CS37096	40	191	25CD65096	65	236
8	30 & 36	10,780 & 9,460	25CS46096	49	211	25CD82096	82	252
8	42 & 48	8,430 & 7,600	25CS58096	61	221	25CD106096	106	292
10	12 & 18	25,650 & 20,640	25CS31120	34	201	25CD53120	53	228
10	24	16,860	25CS37120	40	209	25CD65120	65	254
10	30 & 36	14,250 & 12,340	25CS46120	49	229	25CD82120	82	270
10	42 & 48	10,880 & 9,730	25CS58120	61	239	25CD106120	106	310
10	54 & 60	8,800 & 8,030	25CS70120	73	270	25CD130120	130	330
12	12 & 18	26,300 & 20,450	25CS31144	34	233	25CD53144	53	260
12	24	16,730	25CS37144	40	241	25CD65144	65	286
12	30 & 36	14,160 & 12,270	25CS46144	49	261	25CD82144	82	302
12	42 & 48	10,830 & 9,690	25CS58144	61	271	25CD106144	106	342
12	54 & 60	8,760 & 8,000	25CS70144	73	302	25CD130144	130	362
15	24	16,540	25CS37180	40	371	25CD65180	65	414
15	30 & 36	14,020 & 12,170	25CS46180	49	385	25CD82180	82	438
15	42 & 48	10,750 & 9,620	25CS58180	61	402	25CD106180	106	473
15	54 & 60	8,710 & 7,560	25CS70180	73	419	25CD130180	130	508

Do not exceed column capacities. Column capacity rating does not include base. Double column is twice capacity shown.



Single Column



Double Column

Steeltree® 25 Series (cont.)

Steeltree Arm Components — Standard*

Straight Arm					Inclined Arm				
Arm Length (In.)	Capacity Per Arm (Lbs.)	Model No. With Lip	Wt. (Lbs.)	Model No. Without Lip	Wt. (Lbs.)	Model No. With Lip	Wt. (Lbs.)	Model No. Without Lip	Wt. (Lbs.)
12	3,000	25ASL12	11	25ASO12	11	25AIL12	12	25AIO12	12
18	2,500	25ASL18	13	25ASO18	13	25AIL18	14	25AIO18	14
24	2,000	25ASL24	15	25ASO24	15	25AIL24	16	25AIO24	16
30	1,600	25ASL30	17	25ASO30	17	—	—	—	—
36	1,300	25ASL36	20	25ASO36	20	—	—	—	—
42	1,145	25ASL42	22	25ASO42	22	—	—	—	—
48	1,000	25ASL48	24	25ASO48	24	—	—	—	—
54	890	25ASL54	26	25ASO54	26	—	—	—	—
60	800	25ASL60	29	25ASO60	29	—	—	—	—

*Do not exceed column capacities.

Steeltree Arm Components — Heavy Duty*

Straight Arm (8' Column use up to 48" arms max.)					
Arm Length (In.)	Capacity Per Arm (Lbs.)	Model No. With Lip	Wt. (Lbs.)	Model No. Without Lip	Wt. (Lbs.)
36	2,175	40ASL36	28	40ASO36	28
42	1,865	40ASL42	31	40ASO42	31
48	1,630	40ASL48	34	40ASO48	34
54	1,480	40ASL54	37	40ASO54	37
60	1,330	40ASL60	40	40ASO60	40

*Do not exceed column capacities. Capacity is for evenly distributed loads.

Steeltree Arm Components — Extra Heavy Duty*

Straight Arm (10', 12', 15' Columns only)					
Arm Length (In.)	Capacity Per Arm (Lbs.)	Model No. With Lip	Wt. (Lbs.)	Model No. Without Lip	Wt. (Lbs.)
36	3,000	60ASL36	43	60ASO36	43
42	2,850	60ASL42	49	60ASO42	49
48	2,500	60ASL48	52	60ASO48	52
54	2,250	60ASL54	57	60ASO54	57
60	2,000	60ASL60	62	60ASO60	62

*Do not exceed column capacities. Capacity is for evenly distributed loads.

Steeltree Series 25 & 60 Brace Sets

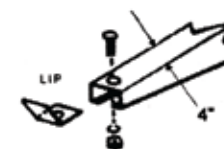
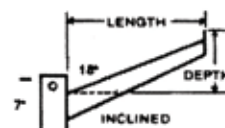
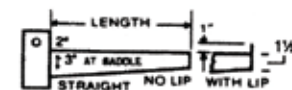
Brace Sets for 8' Columns			Brace Sets for 10' & 12' Columns		
Brace Length (Ft.)	Model No.	Wt. (Lbs.)	Brace Length (Ft.)	Model No.	Wt. (Lbs.)
3	25B2036	34	3	25B3036	51
4	25B2048	43	4	25B3048	65
5	25B2060	52	5	25B3060	79
6	25B2072	62	6	25B3072	93
8	25B2096	82	8	25B3096	123

(packaged sets of 2)

(packaged sets of 3)

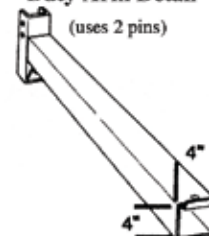
Arms

Straight & Inclined Arm Detail



Extra Heavy-Duty Arm Detail*

(uses 2 pins)



Steeltree Brace Sets

Brace Sets for 15' Columns		
Model No.	Brace Length (Ft.)	Wt. (Lbs.)
25B4036	3	91
25B4048	4	114
25B4060	5	137
25B4072	6	158
25B4096	8	205

With X-Bracing packaged in sets of 4.

Deck Support Receptacles

Model No.	Description	Wt. (Lbs.)
25ASO-SR	End Arm	3
25ASO-DR	Center Arm	3.5
25CB-R	Base	2.5

These receptacles are used to cradle 2 x 4's under plywood decking. They are available in both single and double sided designs and will accommodate all 25 series arms and bases.

Steeltree® 60 Series

US Patent No. 3,512,654

- 2,000 lbs. to 3,300 lbs. capacity per arm
- The 60 Series columns utilize all the 25, 40 and 60 Series arm and brace components
- The advantage of the 60 Series Steeltree® is greater column capacity.
- 60 Series is also a tapered column designed to compensate for deflection.

Column Component

Column Ht. (Ft.)	Arm Length (In.)	Capacity Per Side (Lbs.)	Single Base Column	Base Length (In.)	Wt. (Lbs.)	Double Base Column Model	Base Length (In.)	Wt. (Lbs.)
8	12 & 18	36,780 & 31,340	60CS37096	37	321	60CD58096	58	351
8	24	27,310	60CS43096	43	331	60CD70096	70	371
8	30 & 36	24,190 & 21,710	60CS52096	52	346	60CD88096	88	402
8	42 & 48	19,700 & 18,025	60CS64096	64	367	60CD112096	112	444
8	54 & 60	16,610 & 15,400	60CS76096	76	388	60CD136096	136	485
10	12 & 18	37,050 & 31,540	60CS37120	37	372	60CD58120	58	402
10	24	27,450	60CS43120	43	382	60CD70120	70	423
10	30 & 36	24,310 & 21,810	60CS52120	52	398	60CD88120	88	454
10	42 & 48	19,775 & 18,090	60CS64120	64	418	60CD112120	112	495
10	54 & 60	16,660 & 15,450	60CS76120	76	439	60CD136120	136	536
12	12 & 18	37,320 & 31,730	60CS37144	37	418	60CD58144	58	448
12	24	27,600	60CS43144	43	428	60CD70144	70	469
12	30 & 36	24,425 & 21,900	60CS52144	52	444	60CD88144	88	500
12	42 & 48	19,850 & 18,150	60CS64144	64	464	60CD112144	112	541
12	54 & 60	16,720 & 15,500	60CS76144	76	485	60CD136144	136	582
15	12 & 18	37,730 & 32,030	60CS37180	37	489	60CD58180	58	519
15	24	27,830	60CS43180	43	499	60CD70180	70	540
15	30 & 36	24,600 & 22,040	60CS52180	52	515	60CD88180	88	571
15	42 & 48	19,970 & 18,250	60CS64180	64	535	60CD112180	112	612
15	54 & 60	16,800 & 15,570	60CS76180	76	556	60CD136180	136	653

Do not exceed column capacities. Column capacity rating does not include base. Double column is twice capacity shown.

Steeltree® 25 Series

Complete Unit Breakdown

Stock No.	Quantity	Model No.	Description	Wt. (Lbs.) Ea.
SC-8J†	2 Ea.	25CS37096	8' Single Column/Base	191
	1 St.	25B272	6' Brace Set	62
	8 Ea.	25ASL24	24" Straight Arm With Lip	15
DC-8J†	2 Ea.	25CD65096	8' Single Column/Base	236
	1 St.	25B272	6' Brace Set	62
	16 Ea.	25ASL24	24" Straight Arm With Lip	15
SC-10J†	2 Ea.	25CS46120	10' Single Column/Base	276
	1 St.	25B372	6' Brace Set	93
	12 Ea.	25ASL36	36" Straight Arm With Lip	20
DC-10J†	2 Ea.	25CD82120	10' Double Column/Base	317
	1 St.	25B372	6' Brace Set	93
	24 Ea.	25ASL36	36" Straight Arm With Lip	20
SC-12J†	2 Ea.	25CS58144	12' Single Column/Base	335
	1 St.	25B372	6' Brace Set	93
	16 Ea.	25ASL48	48" Straight Arm With Lip	24
DC-12J†	2 Ea.	25CD106144	12' Double Column/Base	392
	1 St.	25B372	6' Brace Set	93
	32 Ea.	25ASL48	48" Straight Arm With Lip	24

†Quick Ship: Ships within 72 hours

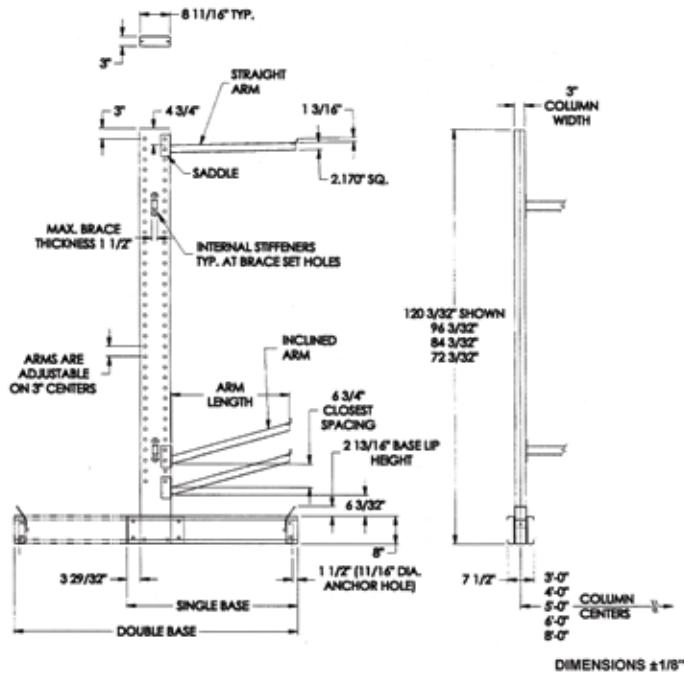
Add-On Unit Breakdown

Stock No.	Quantity	Model No.	Description	Wt (Lbs.) Ea.
SC-8AJ†	1 Ea.	25CS37096	8' Single Column/Base	191
	1 St.	25B272	6' Brace Set	62
	4 Ea.	25ASL24	24" Straight Arm With Lip	15
DC-8AJ†	1 Ea.	25CD65096	8' Double Column/Base	236
	1 St.	25B272	6' Brace Set	62
	8 Ea.	25ASL24	24" Straight Arm With Lip	15
SC-10AJ†	1 Ea.	25CS46120	10' Single Column/Base	276
	1 St.	25B372	6' Brace Set	93
	6 Ea.	25ASL36	36" Straight Arm With Lip	20
DC-10AJ†	1 Ea.	25CD82120	10' Double Column/Base	317
	1 St.	25B372	6' Brace Set	93
	12 Ea.	25ASL36	36" Straight Arm With Lip	20
SC-12AJ†	1 Ea.	25CS58144	12' Single Column/Base	335
	1 St.	25B372	6' Brace Set	93
	8 Ea.	25ASL48	48" Straight Arm With Lip	24
DC-12AJ†	1 Ea.	25CD106144	12' Double Column/Base	392
	1 St.	25B372	6' Brace Set	93
	16 Ea.	25ASL48	48" Straight Arm With Lip	24

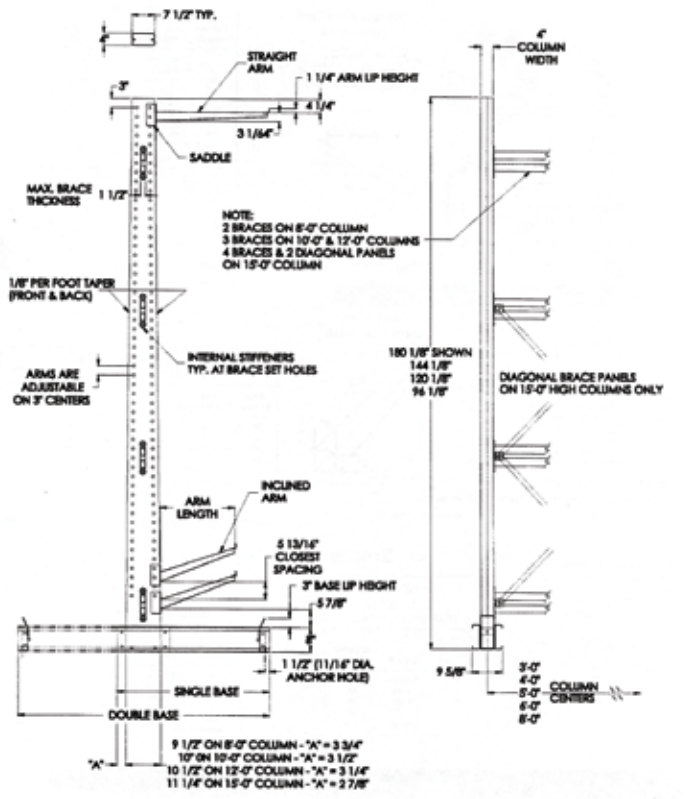
†Quick Ship: Ships within 72 hours



Steeltree® Series



Steeltree® Series O8
Column Details



Steeltree® Series 25
Column Details

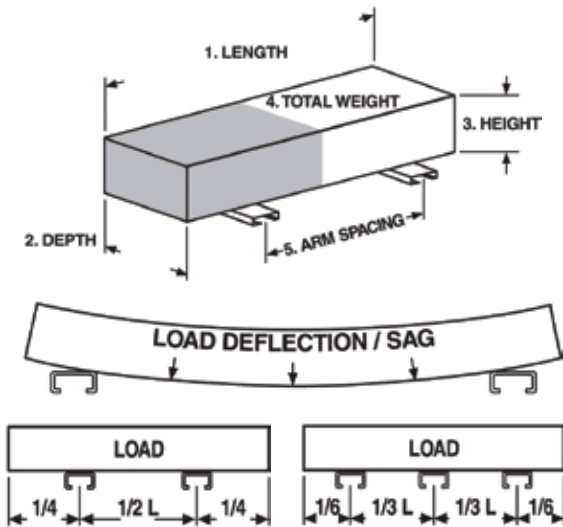
Cantilever Racks Selection Guide

Define the Load

1. Length: _____
2. Depth: _____
3. Height: _____
4. Weight: _____
5. Horizontal Arm Spacing: _____

Load Deflection-Determine the Number of Uprights

Load deflection is characterized as the sagging of the load between the arms. Space blocks on the floor at an equal distance apart under the load until you have no sagging. Each block represents one arm. The arm will be connected to the upright to support the load.

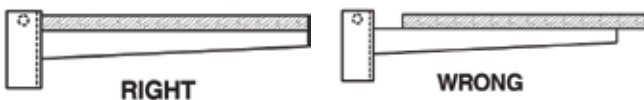


For safe loads with two-arm support distance between arms should be $\frac{1}{2}$ the load and length.

Three arm support should be $\frac{1}{3}$ the load and length.

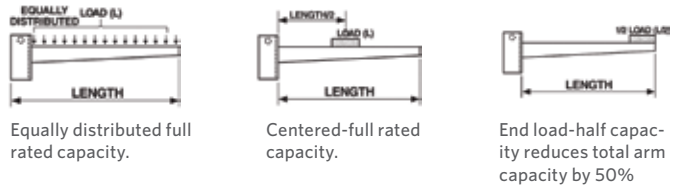
Arm Selection

1. Divide the total weight by the number of arms, as required.
2. Match the load capacity required with the appropriate arm length and select proper arm from table. Arm length should equal load depth.



Arm Loading

All capacities are based on uniformly distributed load.

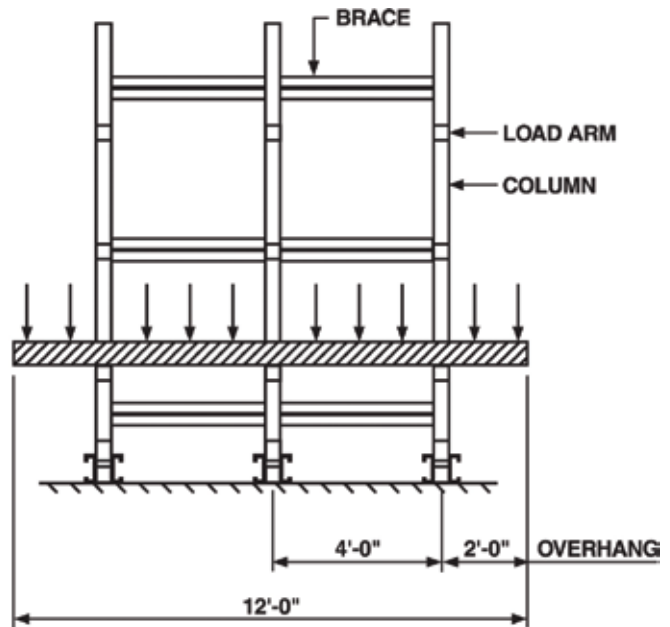


Column Capability

Do not exceed column capacities. Count the number of arms to be used on column; find arm capacity on spec sheet and multiply by number of arms per column.

Typical Cantilever Loading Pattern

Load weights must be evenly distributed over number of arms used to support it. The overhang should equal $\frac{1}{2}$ the column spacing. This will assure even loading on all arms.



Vertical Storage Racks

All-welded steel components bolt together for quick and easy assembly creating a rack that stores long material vertically. Arms extend 6" beyond shelves creating divided storage. Four separate shelf levels allow for storage of smaller lengths and drops in same bay. Use in tool rooms, maintenance areas, machine centers, storage areas and point of purchase displays.

- 3,000 lb. capacity per unit
- Use as an island of storage or as a continuous row
- Stores long material up to 12' long
- Shelves are 12 gauge steel
- Individually packaged and ships unassembled (KD)
- Painted gray

Model No.	H x W x D (In.)	Capacity (Lbs.)	Wt. (Lbs.)
CR-834	84 x 36 x 24	3,000	110



Vertical Storage Rack

Horizontal Storage Racks

Horizontal storage is a terrific option for storing angles, bars, pipes, etc. up to 10' long. Additional units could be positioned to accommodate items longer than 10' with two or more units..

- 1,800 lb. capacity per unit
- Use as islands of storage or as continuous rows.
- 9 arm levels extend 9" on 6" spacing
- Rack is 84" high with a 30" x 30" base that tapers upward
- Individually packaged and ships unassembled (KD)
- Painted gray

Model No.	Ht. (In.)	Base Dim. (In.)	Wt. (Lbs.)
CR-833	84	30 x 30	105



Horizontal Storage Rack

Bar Storage Rack

This rack will easily organize bar ends, saw drops and pipe. This system allows for fast identification and retrieval of materials as needed.

- Starter unit 500 lbs capacity per opening, 66 openings 16,000 lbs. total capacity
- Add-on unit adds additional 5,300 lbs. to capacity
- Heavy Duty uprights, 1/4" thick steel grid
- Bolts together for easy assembly
- Optional galvanized shelf

Model No.	Description	Paint	L x W x H (In.)	Opening (In.)	Wt. (Lbs.)
BSRS	Starter Unit	Gray	36 ¹ / ₂ x 41 ¹ / ₂ x 74 ³ / ₄	5 ¹ / ₂ x 5 ¹ / ₂	264
BSRA	Add-On Unit	Gray	17 x 41 ¹ / ₂ x 74 ³ / ₄	5 ¹ / ₂ x 5 ¹ / ₂	92
BSR-SHELF	Shelf (each)	Galv	36 x 5 ¹ / ₂	—	5



Bar Storage Rack—Starter unit



Opening is 5¹/₂" W x 5¹/₂" H

Mini-Module®

US Patent No. 2,801,752

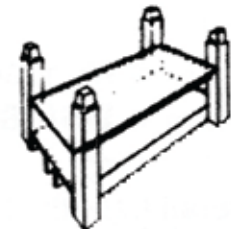
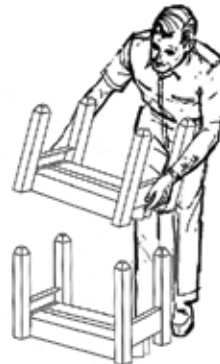
The Mini-Module is an efficient, low-cost means to quickly organize floor clutter anywhere in your plant or warehouse. Sturdy, light-weight and easy to handle, completely flexible storage system for all sorts of materials. Jarke mini-module installations are expandable in width, height and length.

- 2,500 lbs. to 7,500 lbs. capacity per single compartment unit
- Heavy Duty all welded steel construction
- Materials are accessible as individual pieces
- No bolts, no tools, no fittings required in set-up or take-down
- Stack up mini-modules to the length, height and width you require
- Shelves and shelf dividers available to further segment compartment
- Quick storage and retrieval of long material
- 8'-10' long materials utilize 2 units, 12'-16' long materials utilize 3 units and 16' to 24' length materials use 4 units.

Painted gray



Mini-Module®
6 units shown



Shelf: Divides full capacity into 2 sections.

Mini-Module Single Compartment Unit

Model No.	Inside Dim. H x W x D (In.)	Outside Dim. H x W x D (In.)	Capacity (Lbs.)	Wt. (Lbs.)
SZ AX†	12 x 12 x 8	13½ x 16 x 12	2,500	18
SZ BX†	15 x 15 x 10	17 x 19 x 14	3,700	26
SZ CX†	18 x 18 x 11	20½ x 22 x 15	5,600	31
SZ DX†	20 x 22 x 12	23½ x 26 x 16	7,500	49

†Quick Ship: Ships within 72 hours

Shelf (2-way divider)

Model No.	Wt. (Lbs.)
SA	10
SB	12
SC	16
SD	23

†QUICK SHIP:
Ships Within
72 Hours

Mini-Module Multiple-Section Units

Model No.	Inside Dim. H x W x D (In.)	Number of Openings	Capacity (Lbs.)	Wt. (Lbs.)
A-2	13½ x 30 x 12	2	5,000	31
A-3	13½ x 44 x 12	3	7,500	45
A-4	13½ x 58 x 12	4	10,000	59
A-5	13½ x 72 x 12	5	12,500	73

Multiple unit sections eliminate posts which reduces overall width. The solid base provides additional rigidity.

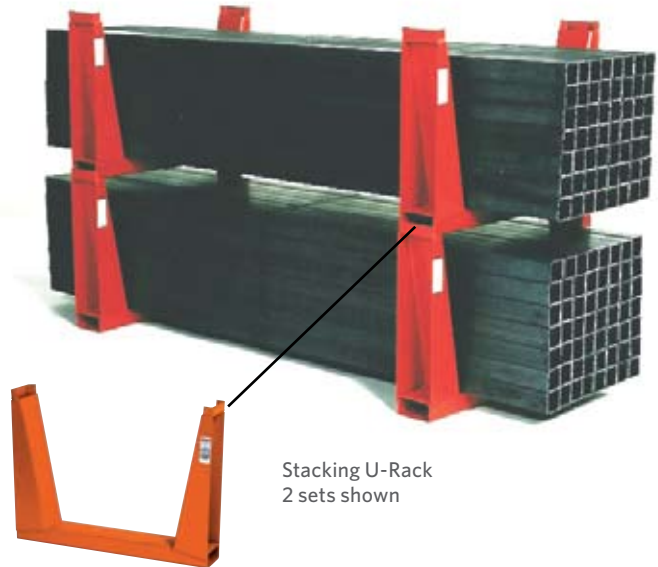
Shelf (2-way divider or 4-way divider)

Model No.	Description	Wt. (Lbs.)
MSA	2 Way Shelf Divider	9
MSVA	4 Way Shelf Divider	9

Stacking U-Rack

U-Racks are a low-cost storage alternative for long-unwieldy materials. U-Racks can be stacked up to four high, offering quick, stable, low-density storage for long materials such as bars, pipe, tubing, angles, channels, and plastic shapes. Use for long term or as temporary storage next to a work station. Excellent product separators.

- 6,000 lbs. or 10,000 lbs. capacity per pair
- Stacks up to 4 levels high, with nesting flanges trapping unit above
- All welded construction, no tools needed for assembly
- Lightweight construction, one person set-up
- Ideally suited for changing storage requirements
- Finished in high visibility orange powdercoat
- Packaged in pairs



Stacking U-Rack
2 sets shown

Model No.	Inside Dimension Base W x Top W x H (In.)	Capacity (Lbs./pr)	Wt. (Lbs./pr)
ULD-06/2	16 1/2 x 25 1/4 x 15 3/4	6,000	50
ULD-10/2	16 1/2 x 25 1/4 x 15 3/4	10,000	60

Tubular Wire Rack

This rack is ideal for use when 4-way entry is not required. This all-tubular series provides storage planning at a savings in cost. Rugged steel construction with high nesting plugs. Hook slots and ribbing are available as optional features.

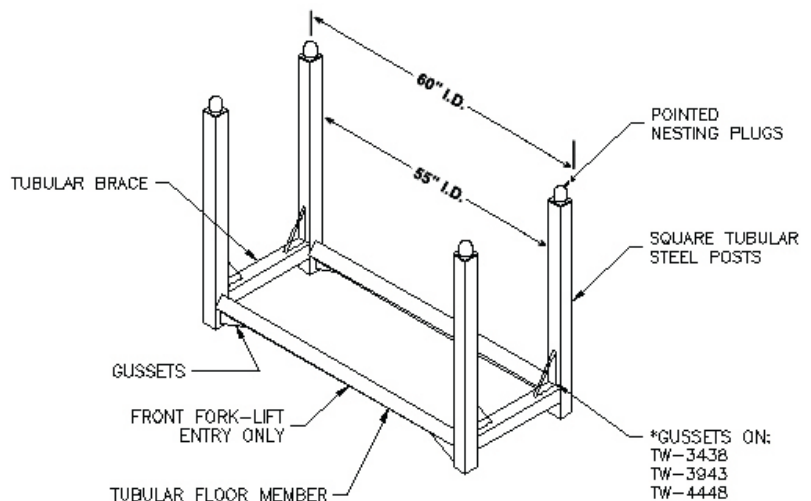
- 4,000 lbs. capacity
- Square tubular steel posts
- 2-way front fork entry only
- 3 High stackability



Tubular Wire Rack

Rack Model No.	For Coil Diameter (In.)	Size W x H (In.)	Wt. (Lbs.)
TW-2428	24 - 28	20 x 33	103
TW-2933	29 - 33	22 x 37 1/2	111
TW-3438*	34 - 38	24 x 42 1/2	118
TW-3943*	39 - 43	26 x 47 1/2	128
TW-4448*	44 - 48	28 x 53	136

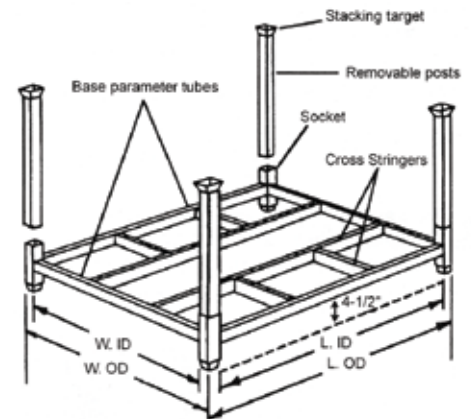
* Non-skid ribbing available for a minimal add-on charge. Minimum quantity order: 10 units.



Airector® Stacking Racks

Jarke Airector® racks combine the unit load capabilities of a pallet with the product protection of stacking posts. The welded tubular steel construction provides Airectors with dependable load carrying strength. Painted Gray

- 2,000 lbs. to 4,000 lbs. capacity
- Designed for 4-way forklift handling
- Wood or open bases (contact factory for information on steel bases)
- Comes standard with 9" high corner sockets



Airector Heavy Duty Bases

Model No. 2,000 Lbs. Cap.	O.A. Width (In.)	O.A. Length (In.)	Wt. (Lbs.)	Model No. 4,000 Lbs. Cap.	O.A. Width (In.)	O.A. Length (In.)	Wt. (Lbs.)
Open Deck				Open Deck			
BB2-4248H	42	48	60	BB4-4248H	42	48	89
BB2-4254H	42	54	68	BB4-4254H	42	54	99
BB2-4260H	42	60	77	BB4-4260H	42	60	109
BB2-4848H†	48	48	65	BB4-4848H	48	48	104
BB2-4854H	48	54	74	BB4-4854H	48	54	111
BB2-4860H	48	60	82	BB4-4860H†	48	60	127
Wood Deck				Wood Deck			
BB2-4248HW	42	48	80	BB4-4248HW	42	48	96
BB2-4254HW	42	54	87	BB4-4254HW	42	54	104
BB2-4260HW†	42	60	101	BB4-4260HW	42	60	114
BB2-4848HW	48	48	89	BB4-4848HW†	48	48	111
BB2-4854HW	48	54	97	BB4-4854HW	48	54	119
BB2-4860HW	48	60	112	BB4-4860HW	48	60	135

†Quick Ship: Ships within 72 hours

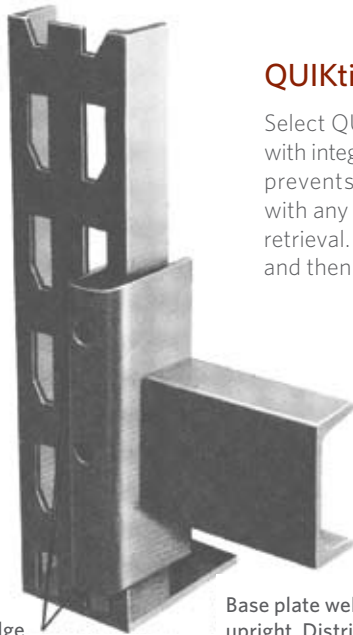
Heavy Duty Post Sets (sets of 4)

Ht. (In.) Above Deck	Model No. 2,000 Lbs. Cap.	Wt. Per Set (Lbs.)	Model No. 4,000 Lbs. Cap.	Wt. Per Set (Lbs.)
36	PT-2-36	30	PT-4-36†	38
42	PT-2-42	33	PT-4-42	42
48	PT-2-48	36	PT-4-48†	47
60	PT-2-60	42	PT-4-60	55

†Quick Ship: Ships within 72 hours
 Height shown from top of deck to underside of target.
 Heavy duty channel collar—(sets of 4). Available upon request.
 End or Side Frames Interchangeable, removable.
 4000 lb. capacity end/side frames* (set of 2).
 Sized to your application. Consult factory.



Airector® Stacking Racks
3 units shown



Three point wedge connection provides great strength and rigidity.

Base plate welded to upright. Distributes load over a wider area.

QUIKtier®

Select QUIKtier for maximized storage space & minimized cost. Boltless beam connectors with integral lock allow for inexpensive, rapid assembly & low maintenance. Integral lock prevents accidental dislodging of beams due to upward force. Any beam is interchangeable with any upright. Beams adjust on 2½" centers. Compatible with automated storage and retrieval. To determine the sizes and capacities needed, find the depth in the first column and then follow across chart to the upright height as required.

Protect your pallets, merchandise and storage systems from forklift damage!

You'll find Steel Sentry™ post protectors on page 30 of this catalog.

Structural Frame QUIKtier™ Selection Chart

Depth (In.)	Upright Frame Ht.										Upright* Capacity (Lbs.)
	6'	8'	10'	12'	14'	16'	18'	20'	22'	24'	
30	QU-30072 63	QU-30096 81	QU-30120 102	QU-30144 122	QU-30168 141	QU-30192 162	QU-30216 181	QU-30240 198	QU-30264 221	QU-30288 241	31,000
36	QU-36072 66	QU-36096 83	QU-36120 105	QU-36144 125	QU-36168 145	QU-36192 167	QU-36216 186	QU-36240 204	QU-36264 227	QU-36288 247	31,000
42	QU-42072 68	QU-42096 85	QU-42120 108	QU-42144 128	QU-42168 148	QU-42192 171	QU-42216 191	QU-42240 210	QU-42264 233	QU-42288 254	31,000
48	QU-48072 70	QU-48096 87	QU-48120 111	QU-48144 131	QU-48168 151	QU-48192 175	QU-48216 196	QU-48240 216	QU-48264 239	QU-48288 260	31,000

*31,000 based on level of first shelf not to exceed 48" above floor. First shelf level that exceeds 48" will reduce upright capacity. Call factory vvvfor rating information or capacities other than shown.

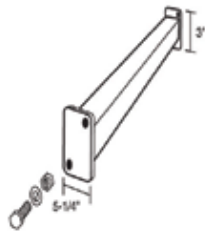
Structural Channel Beams

Beam Ht. (In.)	Beam Length (Clearspan)										
	54"	60"	72"	84"	92"	96"	108"	120"	132"	144"	
	Model No. Capacity (Lbs.) Wt. Per Pr. (Lbs.)	Model No. Capacity (Lbs.) Wt. Per Pr. (Lbs.)	Model No. Capacity (Lbs.) Wt. Per Pr. (Lbs.)	Model No. Capacity (Lbs.) Wt. Per Pr. (Lbs.)	Model No. Capacity (Lbs.) Wt. Per Pr. (Lbs.)	Model No. Capacity (Lbs.) Wt. Per Pr. (Lbs.)	Model No. Capacity (Lbs.) Wt. Per Pr. (Lbs.)	Model No. Capacity (Lbs.) Wt. Per Pr. (Lbs.)	Model No. Capacity (Lbs.) Wt. Per Pr. (Lbs.)	Model No. Capacity (Lbs.) Wt. Per Pr. (Lbs.)	Model No. Capacity (Lbs.) Wt. Per Pr. (Lbs.)
3	30CLO54 9,600 45	30CLO60 8,800 49	30CLO72 7,330 58	30CLO84 5,920 67	30CLO92 4,930 72	30CLO96 4,530 76	30CL108 3,580 85	30CL120 2,900 94	30CL132 2,400 103	30CL144* 2,015 112	
4	40CLO54 — 53	40CLO60 9,600 58	40CLO72 9,600 69	40CLO84 9,600 80	40CLO92 9,600 87	40CLO96 9,600 90	40CL108* 8,310 101	40CL120* 6,730 112	40CL132* 5,560 123	40CL144* 4,670 134	
5	—	—	—	—	—	50CLO96 9,600 112	50CL108 9,600 125	50CL120* 8,640 138	50CL132* 7,855 151	50CL144* 7,200 165	

*Requires one beam tie per pair of beams. Higher capacities available, consult factory.

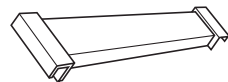
Rigid Back-to-Back Ties

Quicktier Model No.	Length (In.)	Wt. (Lbs.)
TR-04	4	3
TR-06	6	4
TR-08	8	4
TR-10	10	5
TR-12	12	6



Flush Drop-in Skid Supports

Model No.	Used with Upright Width (In.)	Capacity Each (Lbs.)	Wt. (Lbs.)
F-SS30	30	1,800	14
F-SS36	36	1,500	17
F-SS42	42	1,300	20
F-SS48	48	1,100	22



Steel Drop-in Decks (for 94" Beams)

Approximately 200 lbs per sq. ft. capacity. Additional capacities and sizes available upon request. Wire mesh decks are also available.

Model No.	Used with Upright Width (In.)	Wt. (Lbs.)
DD30094	30	108
DD36094	36	129
DD42094	42	156
DD48094	48	170



Wall Ties

Model No.	Length (In.)	Wt. (Lbs.)
TRW-04	4	3
TRW-06	6	4
TRW-08	8	4
TRW-10	10	5
TRW-12	12	6

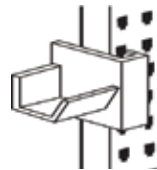
Universal Beam Tie (Fits All Beams)

Model No.	Used with Upright Width (In.)	Wt. (Lbs.)
TB3048	30 to 48	10



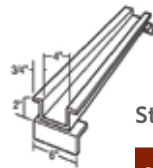
Reel Shaft Support Bracket (Quiktier only)

Model No.	Shaft Diameter (In.)	Capacity Pr. (Lbs.)	Wt. (Lbs.)
QU-RS-15	1 1/2	3,000	5
QU-RS-25	2 1/2	4,500	6



Standard Drop-in Skid Supports

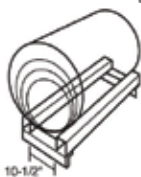
Model No.	Used with Upright Width (In.)	Capacity Each (Lbs.)	Wt. (Lbs.)
SS30	30	1,800	14
SS36	36	1,500	17
SS42	42	1,300	20
SS48	48	1,100	22



Drop-in Coil/Drum Cradles

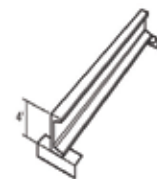
Used for wire, strip or any other

Quikter Model No.	Used with Upright Width (In.)	Capacity Each (Lbs.)	Wt. (Lbs.)
QBC30	30	1,050	11
QBC36	36	875	13
QBC42	42	750	15
QBC48	48	650	16



Fork Truck Clearance Strut

Model No.	Used with Upright Width (In.)	Capacity Each (Lbs.)	Wt. (Lbs.)
FS30	30	3,920	12
FS36	36	3,200	14
FS42	42	3,800	17
FS48	48	2,450	18



EZ-Glide™

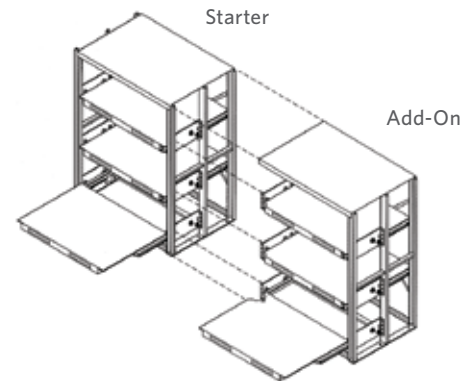
100% Full Extension Roll-Out Shelving

High density storage, E-Z Glide's 100% shelf extension allows quick, efficient loading and unloading of bulky items. Shelves roll out even when loaded to capacity. Easy to install. Shipped knocked down. The E-Z Glide has welded and bolted construction with a solid steel top deck for extra rigidity (top deck does not roll out). Top deck may be used as the pick up point to conveniently relocate empty racks and for use as additional storage. All standard E-Z Glide units have available add-on units that share a common upright. The add-on is for wall-to-wall racking of shelves...or any length in between. The add-on connects to existing shelves creating a continuous assembly of any number. Units should be anchored to the floor. (Anchors not included)

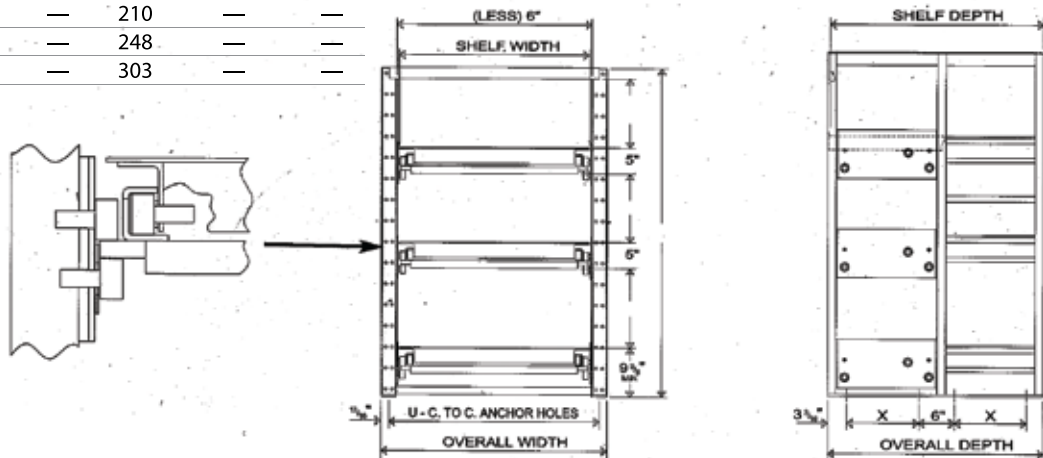
- 2,000 lbs. capacity per shelf
- Full 100% extension of every shelf
- Individual shelf height adjustable based on 2 inch centers
- Modular construction allows bolt-together expansion of multiple units.
- Horizontal access by fork lift truck, cart, hand truck or any method with a height adjusting bed
- Vertical access via crane, manipulator or monorail system
- Welded and bolted construction
- Nine (9) starter & add-on models available



EZ-Glide



Starter Model No.	Shelf Size (In.)	No. of Shelves	Overall Ht. (In.)	Wt. (Lbs.)	Add-On Model No.	Wt. (Lbs.)
EZ363662	36 x 36	3	62 1/2	911	EZ363662A	831
EZ483662	48 x 36	3	62 1/2	1053	EZ483662A	973
EZ484862	48 x 48	3	62 1/2	1260	EZ484862A	1174
EZ363672	36 x 36	3	72 1/2	932	EZ363672A	842
EZ483672	48 x 36	3	72 1/2	1074	EZ483672A	984
EZ484872	48 x 48	3	72 1/2	1281	EZ484872A	1185
EZ363684	36 x 36	4	84 1/2	1166	EZ363684A	1063
EZ483684	48 x 36	4	84 1/2	1348	EZ483684A	1245
EZ484884	48 x 48	4	84 1/2	1510	EZ484884A	1407
Additional Shelves (2,000 Lbs. Capacity)						
EZSH3636	36 x 36	—	—	210	—	—
EZSH4836	48 x 36	—	—	248	—	—
EZSH4848	48 x 48	—	—	303	—	—



Reel Rack Heavy Duty

- 2,000 lbs. per level with 10,000 lbs. maximum capacity per rack
- Provides quick and uncluttered access
- Comes standard with 4 sets of rack axle brackets which accept axel up to 2" diameter (axel not included)
- Axel brackets adjust on 2" center
- 24" maximum reel dimension

Overall Dim. W x D x H (In.)	Inside Clear Dimension W x D x H (In.)	Starter Model No.	Wt. (Lbs.)	Add-On Model No.	Wt. (Lbs.)
24 x 24 x 96	17 ⁵ / ₈ x 24 x 96	RR242496	236	RA242496	149
36 x 24 x 96	29 ⁵ / ₈ x 24 x 96	RR362496	252	RA362496	165
48 x 24 x 96	42 ⁵ / ₈ x 24 x 96	RR482496	268	RA482496	181
24 x 36 x 96	17 ⁵ / ₈ x 36 x 96	RR243696	254	RA243696	158
36 x 36 x 96	29 ⁵ / ₈ x 36 x 96	RR363696	270	RA363696	174
48 x 36 x 96	42 ⁵ / ₈ x 36 x 96	RR483696	286	RA483696	190
24 x 24 x 120	17 ⁵ / ₈ x 24 x 120	RR2424120	269	RA2424120	165
36 x 24 x 120	29 ⁵ / ₈ x 24 x 120	RR3624120	285	RA3624120	181
48 x 24 x 120	42 ⁵ / ₈ x 24 x 120	RR4824120	301	RA4824120	197
24 x 36 x 120	17 ⁵ / ₈ x 36 x 120	RR2436120	289	RA2436120	175
36 x 36 x 120	29 ⁵ / ₈ x 36 x 120	RR3636120	305	RA3636120	191
48 x 36 x 120	42 ⁵ / ₈ x 36 x 120	RR4836120	321	RA4836120	207
Brackets 1-Set	—	RRAXBR	7	—	—

Recommend that unit be secure to the floor. (Anchors not included)

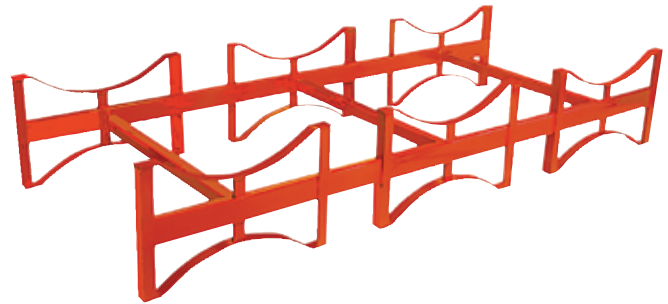


Reel Rack Heavy Duty

Drum Storage Rack

The Jarke drum racks offer compact, high-density storage of 55 gallon drums. This unit allows for closed drums to be easily transported to a worksite which means avoiding the hazards of transporting small quantities of liquid in open containers.

- 1,200 lbs. to 1,800 lbs. capacity
- The Jarke KD drum rack has the same heavy duty design and high capacity as a welded unit.
- Stack up to 4 tiers high with an interlocking design which gives this rack high capacity and more stability
- Portable and light weight
- Breaks down for easy storage
- Painted high visibility orange
- Forklift accessibility
- An all-welded unit is available



TD-55KD



HD-55KD

Model No.	Description	H x L x D (In.)	Capacity (Lbs.)	Wt. (Lbs.)
HD-55KD	Hi-Drum Rack 2 Drum Carriage	12 x 46 x 30	1,200	48
TD-55KD	Tri-Drum Rack 3 Drum Carriage	12 x 72 x 30	1,800	66
*HD-550	Hi-Drum Stand Without Casters	-	1,500	60
*HD-555	Hi-Drum Stand With 5" Caster Wheels	-	1,500	75

*Hi-Drum Stand does not include Hi-Drum



HD-555
(Rack not included)

Warranty & Product Suitability

Statement

SPG has made a continuous commitment to quality and service. The content of this catalog reflects the years of experience we have in storage technology. All products shown have practical application potential that will increase your storage and handling of virtually any product.

If none of our standard racks or material handling equipment will solve your unique problem, SPG engineers will study your needs and design a variation to these standards or special equipment to meet your specific requirements. The system we recommend will minimize handling and promote flow through your facility. Behind all the factors considered in design and testing, we have but one simple goal: to make products for people and products pursuant to guidelines established by ANSI (American National Standard Institute), UBC (Uniform Building Code) and RMI (Rack Manufacturers Institute).

Product Suitability

Many states and localities have individual codes and regulations governing sales, construction, installation, and/or use of products for certain purposes, which may vary from those in neighboring areas. SPG cannot guarantee compliance, and can not be responsible for how the product is installed or used. Before purchase and use of a product, please review the product application, and the national and local codes and regulations. Be sure that the product, installation and use will comply with them.

Warranty / Limited Liability

SPG products are fully warranted for one year against defects in design, material and workmanship under normal use except for collision, overloading or improper installation. All products must be installed in accordance with written instructions provided by SPG. Your exclusive remedy and our only liability arising out of any sale shall be the replacement or repair of the goods or refund of the purchase price paid by the buyer, whichever such remedy we select. Any replacement, repair or return must have written authorization before any action is taken. If we elect to repay the purchase price, a written authorization will be issued and the goods must be returned immediately. Any exception to this policy must be agreed to in writing by an officer of SPG.

Terms & Conditions

Terms & Credit

NET 30 days. All prices are F.O.B. Factory. All purchases are subject to a credit review. Credit review may delay production and/or shipping schedules.

Freight and Routing

All shipments are F.O.B. factory. When a carrier has not been specified, we will route shipment in the best way. With prepaid third party shipments, the third party's discount will apply. Customer pick-ups must be made within three days of notification of completion.

Returns

It is the responsibility of the consignee or his representative to check shipments against the bill of lading or packing list. If damaged or short, indicate on the delivery receipt the extent of the shortage or damage. A claim for damage or shortage cannot be processed if the delivery receipt is signed without exception. Stock product can be returned within 30 days when authorized in writing by SPG and return freight charges are prepaid. There will be a 25% restocking charge. Made-to order and used products cannot be returned.

Cancellation

SPG reserves the right to apply reasonable charges for material and labor performed prior to the cancellation of any order. A formal acknowledgement of these charges will be sent by SPG after notice of cancellation is received.

Minimum Order Quantity

Stock items can be ordered in any quantity, \$25 minimum. Orders for made-to-order items in quantities less than the minimum quantity shown in this price list will be subject to an additional set-up charge based on type of equipment. Call factory for setup charges.

Delivery

Stock items can usually be shipped within 2 weeks. Delivery of made-to-order and non-stock items will be scheduled based on receipt of order and/or approved drawings, when applicable.

EXPECT MORE



STORAGE PRODUCTS GROUP

SPG International, LLC
11230 Harland Drive NE
Covington, GA 30014
877-503-4SPG (4774)

Gillis/Jarke Manufacturing
800-225-5424

www.spgusa.com